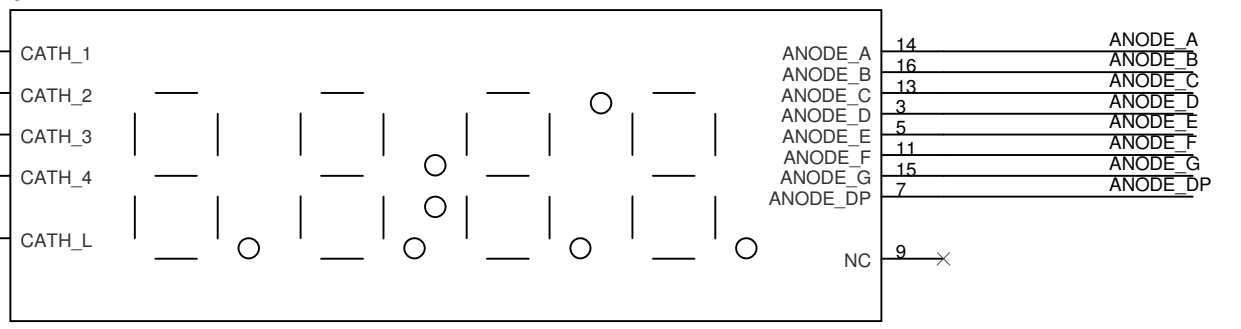


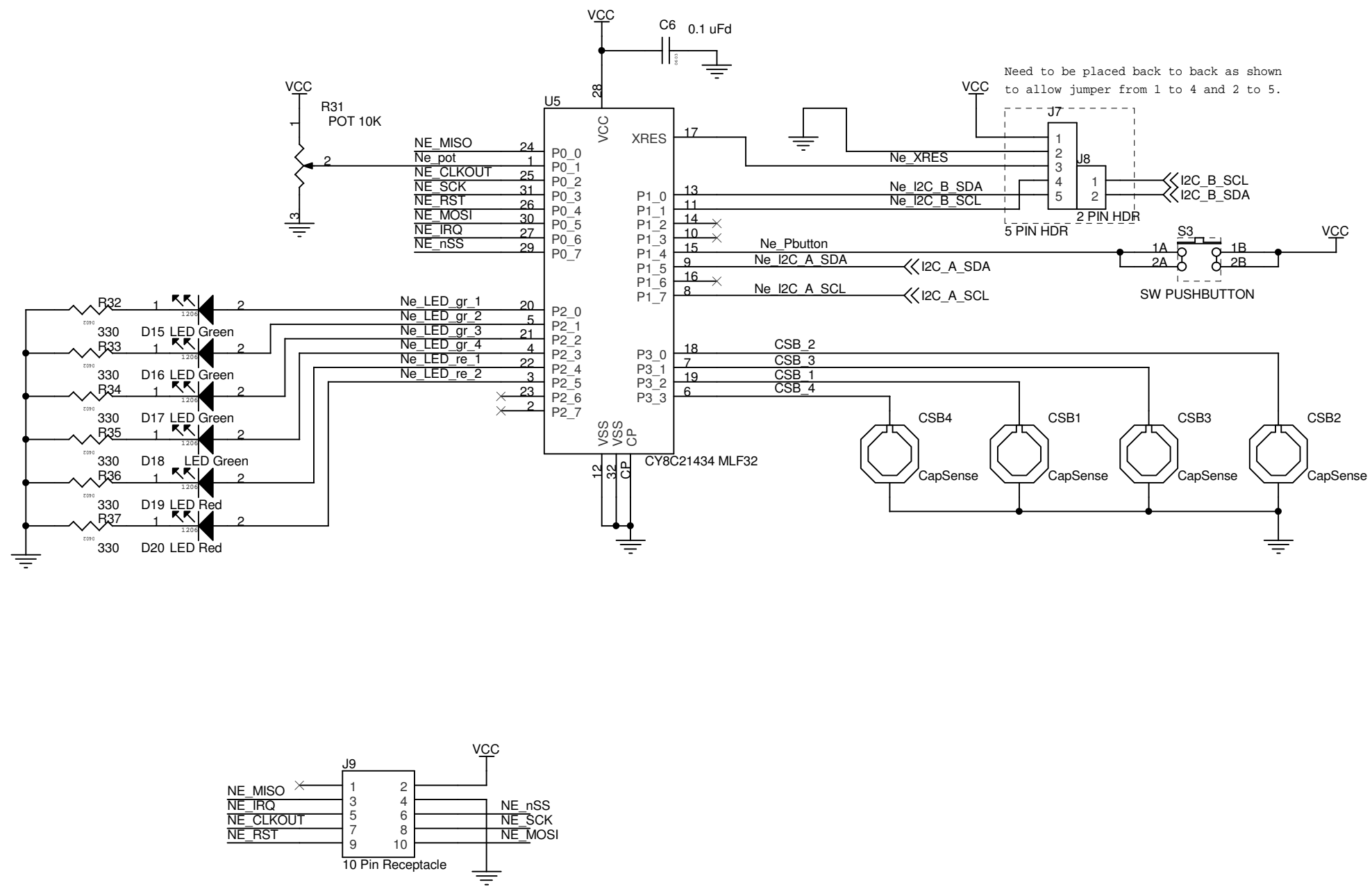
Need to be placed back to back as shown to allow jumper from 1 to 4 and 2 to 5.

PDC-9349
CY8C29666

CYPRESS SEMICONDUCTOR © 2005		
Title World Tour II Hardware		
Size B	Document Number REF-13639	Rev **
Date: Tuesday, July 18, 2006	Sheet 2	of 4

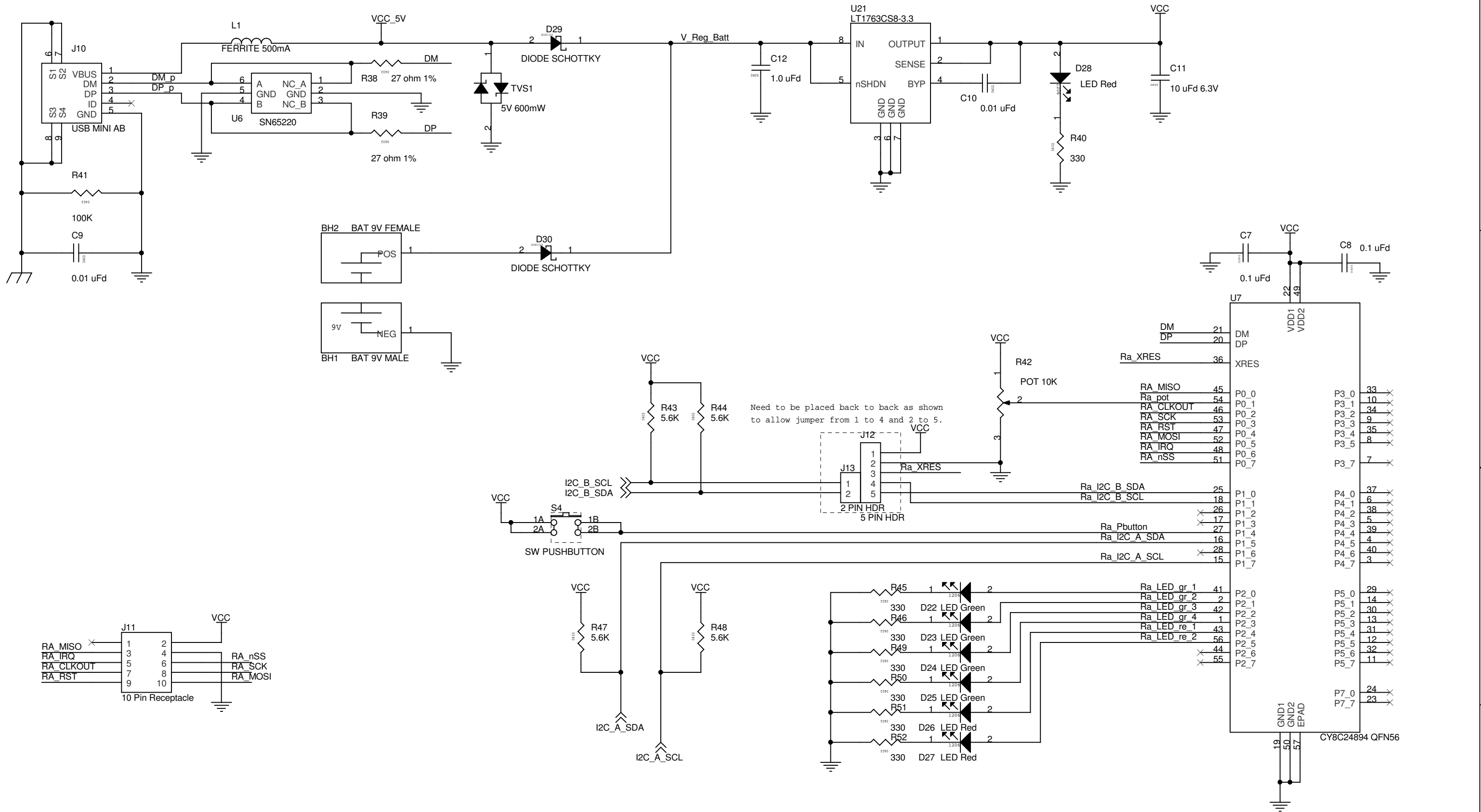


LTC-4727JF



PDC-9349
 CY8C21434

CYPRESS SEMICONDUCTOR © 2005		
Title World Tour II Hardware		
Size B	Document Number REF-13639	Rev **
Date: Monday, July 17, 2006	Sheet 3	of 4



PDC-9349
CY8C24894

CYPRESS SEMICONDUCTOR © 2005		
Title World Tour II Hardware		
Size B	Document Number REF-13639	Rev **
Date: Monday, July 17, 2006	Sheet 4	of 4